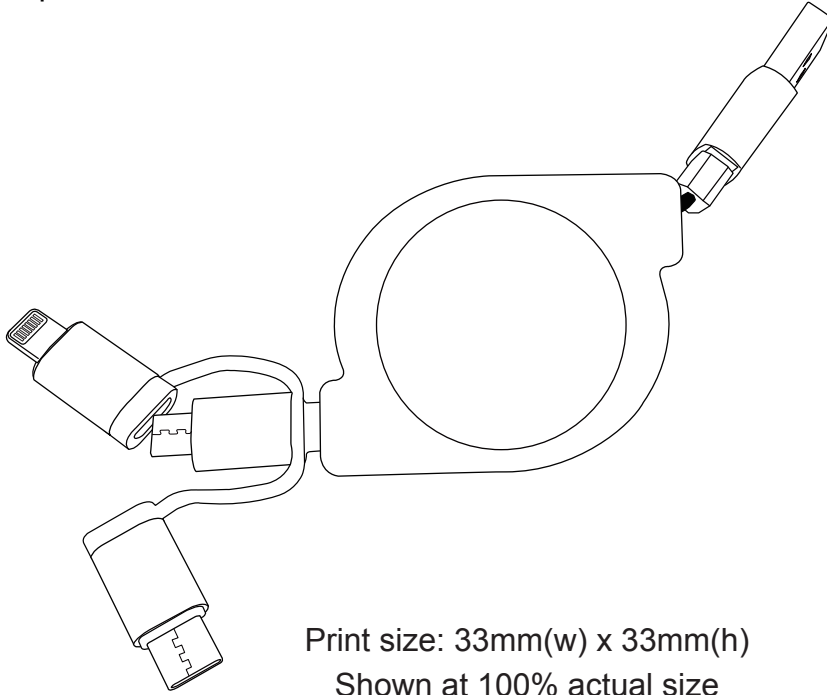


Product: PCBA85  
Product Size: 48 x 40 x 17 mm (housing), 100mm(cable length)

Decoration Options:

side1



side2

