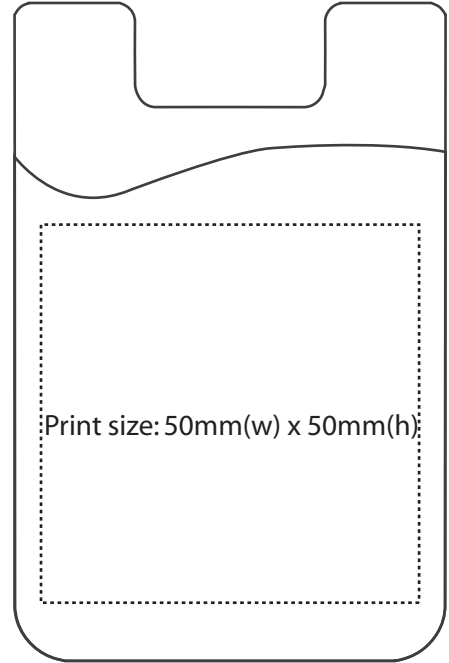


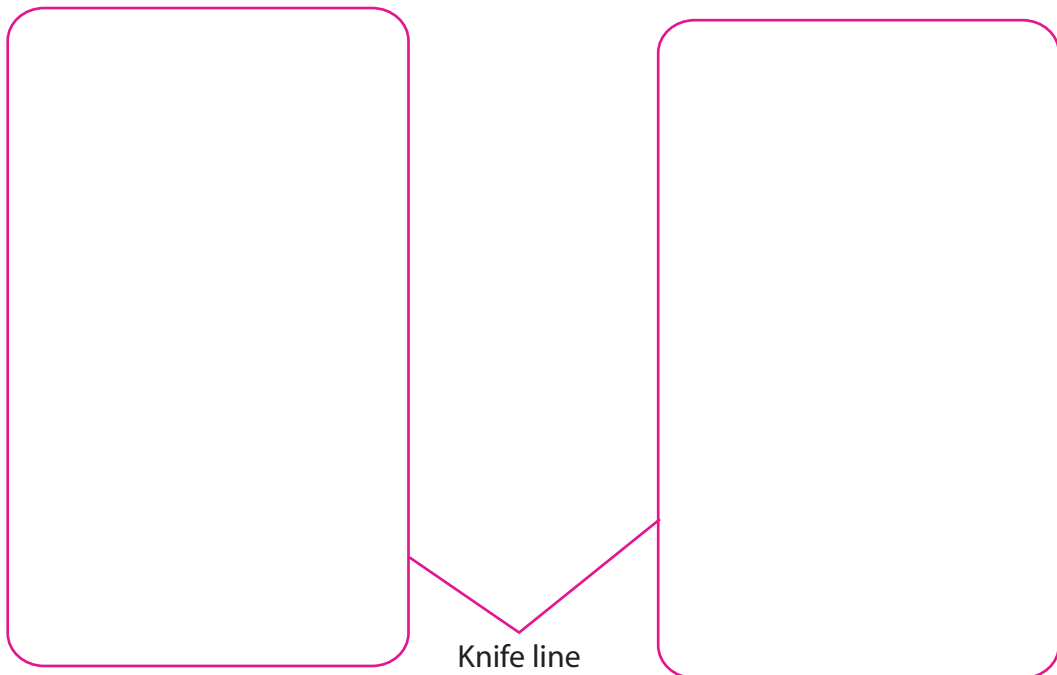
ART APPROVAL

Art approval offers two free corrections. Subsequent changes incur a \$15 plus GST fee per change.

Proof no. _____



Shown at 100% actual size



Print size: 53mm(w) x 87mm(h)
Shown at 100% actual size

Approved by _____ Signature _____ Date _____

*I have checked this approval / proof and all details are correct.
This job is approved to proceed to production immediately.
I acknowledge and accept your general terms and conditions.*